

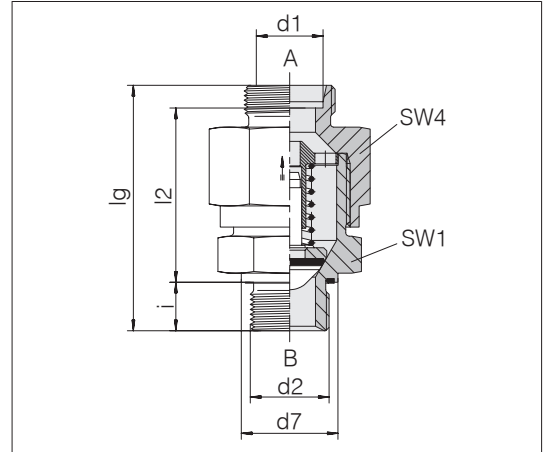
Standard non-return valves

Flow direction from threaded stud

Male thread: BSPP thread, cylindrical
 Threaded stud: ISO 1179-2 Form E
 Sealing type: Profile sealing ring PEFLEX
 Sealing material: Standard NBR

Tube coupling: 24° in acc. with ISO 8434-1

Opening pressure 1 bar



Series	d2	d7	Pressure	lg	l2	SW1	SW4	i	Nm -10 %	kg/100 ca.	Order-No.	Designation
Tube OD d1												
L 6	G 1/8 A	13.9	PB 250	44	29	17	17	8	20	5.7	0602302081	24-VNROPT-L6-G1/8E
L 8	G 1/4 A	18.9	PB 250	49	30	19	19	12	50	6.2	0602312081	24-VNROPT-L8-G1/4E
L 10	G 1/4 A	18.9	PB 250	59.5	40.5	22	24	12	50	10.6	0602322081	24-VNROPT-L10-G1/4E
L 12	G 3/8 A	21.9	PB 250	61.5	42.5	27	30	12	80	17.2	0602332081	24-VNROPT-L12-G3/8E
L 15	G 1/2 A	26.9	PB 250	66.5	45.5	30	32	14	100	21.9	0602342081	24-VNROPT-L15-G1/2E
L 18	G 1/2 A	26.9	PB 160	72.5	51	36	36	14	100	30.1	0602352081	24-VNROPT-L18-G1/2E
L 22	G 3/4 A	31.9	PB 160	80	56.5	41	46	16	180	48.8	0602362081	24-VNROPT-L22-G3/4E
L 28	G 1 A	39.9	PB 100	92	66.5	50	55	18	230	81.0	0602372081	24-VNROPT-L28-G1E
L 35	G 1 1/4 A	49.9	PB 100	102.5	72	60	65	20	330	126.6	0602382081	24-VNROPT-L35-G1 1/4E
L 42	G 1 1/2 A	54.9	PB 100	109.5	76.5	65	75	22	500	170.1	0602392081	24-VNROPT-L42-G1 1/2E
S 6	G 1/4 A	18.9	PB 630	50.5	31.5	19	19	12	60	7.0	0602402081	24-VNROPT-S6-G1/4E
S 8	G 1/4 A	18.9	PB 630	50.5	31.5	19	19	12	60	6.8	0602412081	24-VNROPT-S8-G1/4E
S 10	G 3/8 A	21.9	PB 630	57.5	38	22	24	12	90	12.0	0602422081	24-VNROPT-S10-G3/8E
S 12	G 3/8 A	21.9	PB 630	60.5	41	24	27	12	90	14.9	0602432081	24-VNROPT-S12-G3/8E
S 14	G 1/2 A	26.9	PB 630	66.5	44.5	27	32	14	150	22.2	0602442081	24-VNROPT-S14-G1/2E
S 16	G 1/2 A	26.9	PB 400	70.5	48	32	36	14	150	28.1	0602452081	24-VNROPT-S16-G1/2E
S 20	G 3/4 A	31.9	PB 400	78.5	52	41	46	16	200	50.2	0602462081	24-VNROPT-S20-G3/4E
S 25	G 1 A	39.9	PB 400	87.5	57.5	46	50	18	250	65.7	0602472081	24-VNROPT-S25-G1E
S 30	G 1 1/4 A	49.9	PB 250	97.5	64	55	60	20	500	108.2	0602482081	24-VNROPT-S30-G1 1/4E
S 38	G 1 1/2 A	54.9	PB 250	109.5	71.5	65	70	22	600	162.1	0602492081	24-VNROPT-S38-G1 1/2E

Test pressure PP = 1.5-fold
 value in table

Example for comp. :
 RRHV06LREDOMD